

ESL Bottle Sanitizer



integrated
packaging
machinery, LLC

ESL



Bottle Handling and
Chemical Application

The **Extended Shelf Life Bottle Sanitizer (ESL)** creates a new definition of Quality Bottling by extending the actual shelf life of your products.



Sterile Air Unit



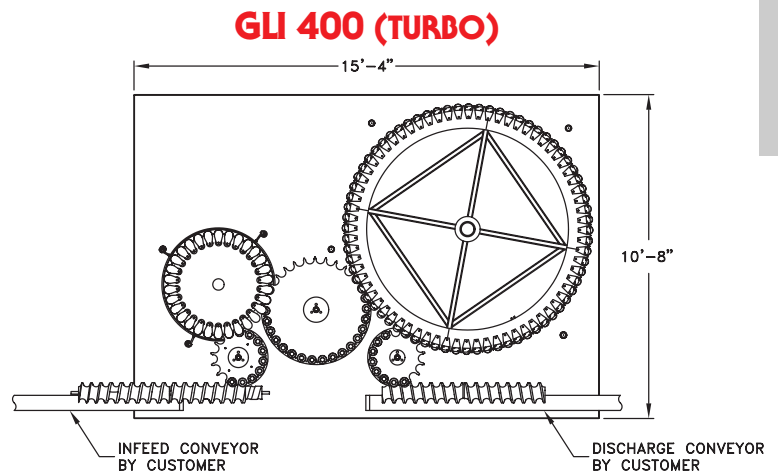
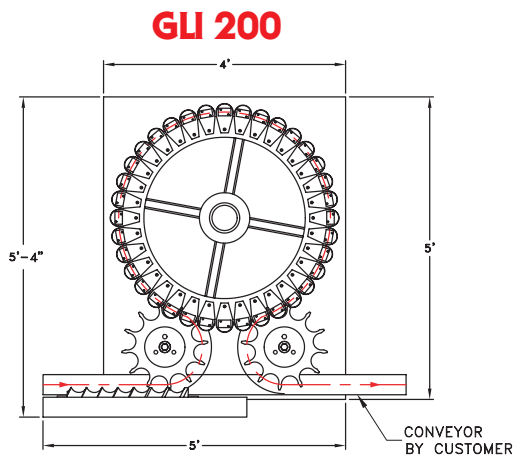
Chemical Spray Nozzles



Sterile Air Drying Nozzles

ESL Bottle Sanitizer

ESL

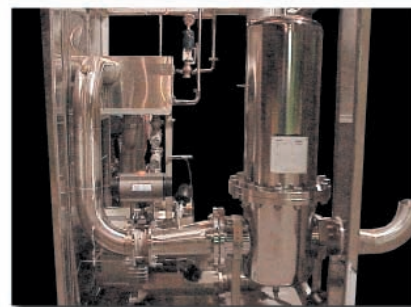


ESL Bottle Sanitizer Benefits:

- Enclosed design creates a completely controlled environment
- Higher standard of sanitation
- CIP Spray Ball ensures a consistent reliable sanitation
- PLC Monitored & Controlled (Allen Bradley Touchscreen)
- Increases customer distribution network
- Speeds up to 400 bottles per minute

Air Skid Option:

- Provides sterile air for drying containers
- Improves overall machine air quality
- Steam sterilization of filters to assure air quality
- PLC Monitored & Controlled Filter
- Less complex installation



Featuring a Sterile Air Skid Option



integrated packaging machinery, LLC

3790 28th Street, SW • Grandville, MI 49418
Tel: 616-531-7758 Fax: 616: 616-531-7797

www.callipm.com