

ROBOTIC PALLETIZING

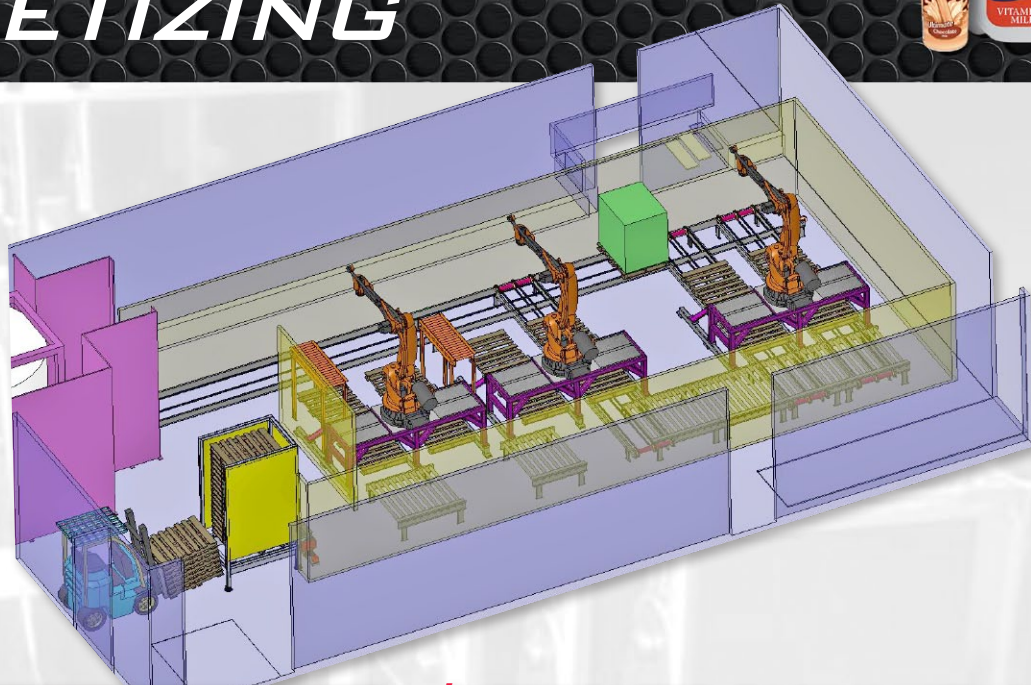


***EXTREMELY VERSATILE
PALLETIZING AND PACKAGING OF
MEDIUM TO HEAVY PAYLOADS.***

- One robot can handle up to four different case lines
- Uses intelligent palletizing software to ensure easy and efficient operation
- Flexible yet powerful PC-based robot controller can control entire line or integrated into higher-level structures
- Fast, flexible configuration shortens start-up times and installation



ROBOTIC PALLETIZING



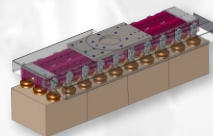
***INTEGRATES EASILY WITH YOUR
COMPANY'S EXISTING LAYOUT FOR
AN INSTALLATION THAT WORKS!***

The Palletizing Robot allows reliable service in a lightweight, fast and powerful design.

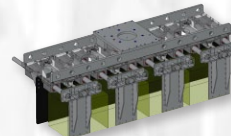
Systems integration available with the following features and options:

- Pallet dispensers for both GMA and CHEP
- Slip sheet and tier dispensers
- Pallet and case conveyor
- Automatic pallet tagging
- Visions systems

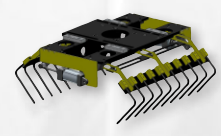
End-of-Arm Tooling includes:



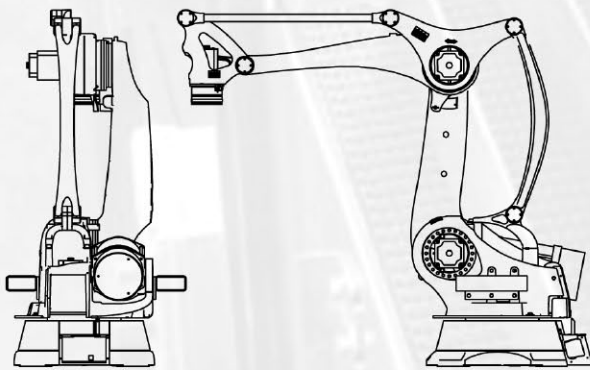
Vacuum



Clamp



Bag Gripper



INTEGRATED PACKAGING MACHINERY



943 West River Center • Grand Rapids, MI 49321
tel: 616-531-7758 • fax: 616-531-7797 • email: sales@callipm.com • www.callipm.com